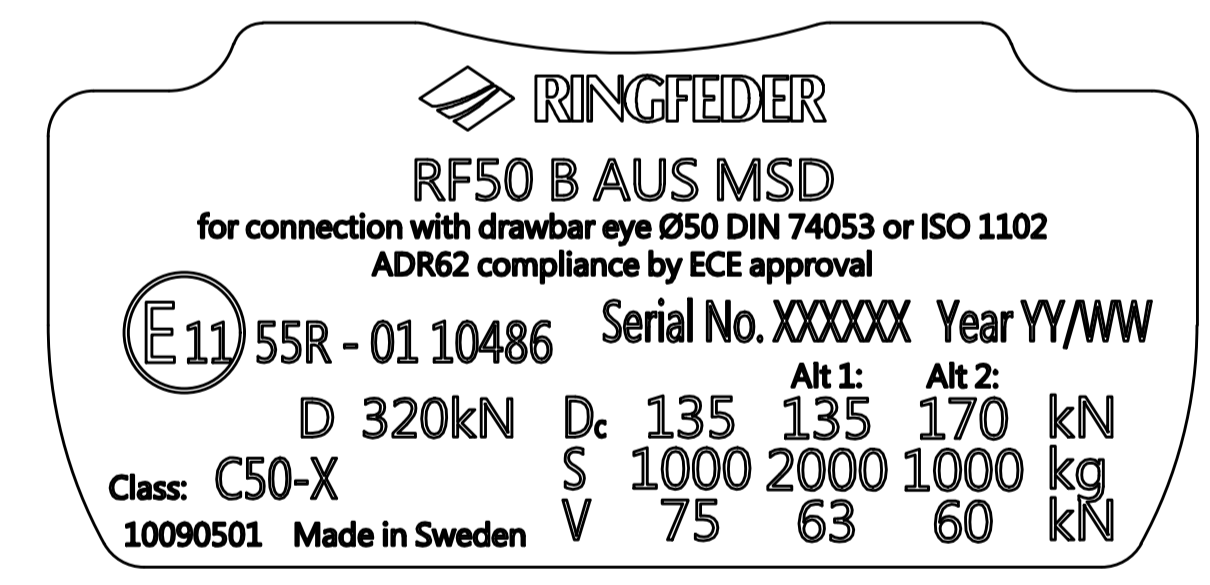


Winkelausschläge der Zugöse D50:
 Angle of of drawbar eye:

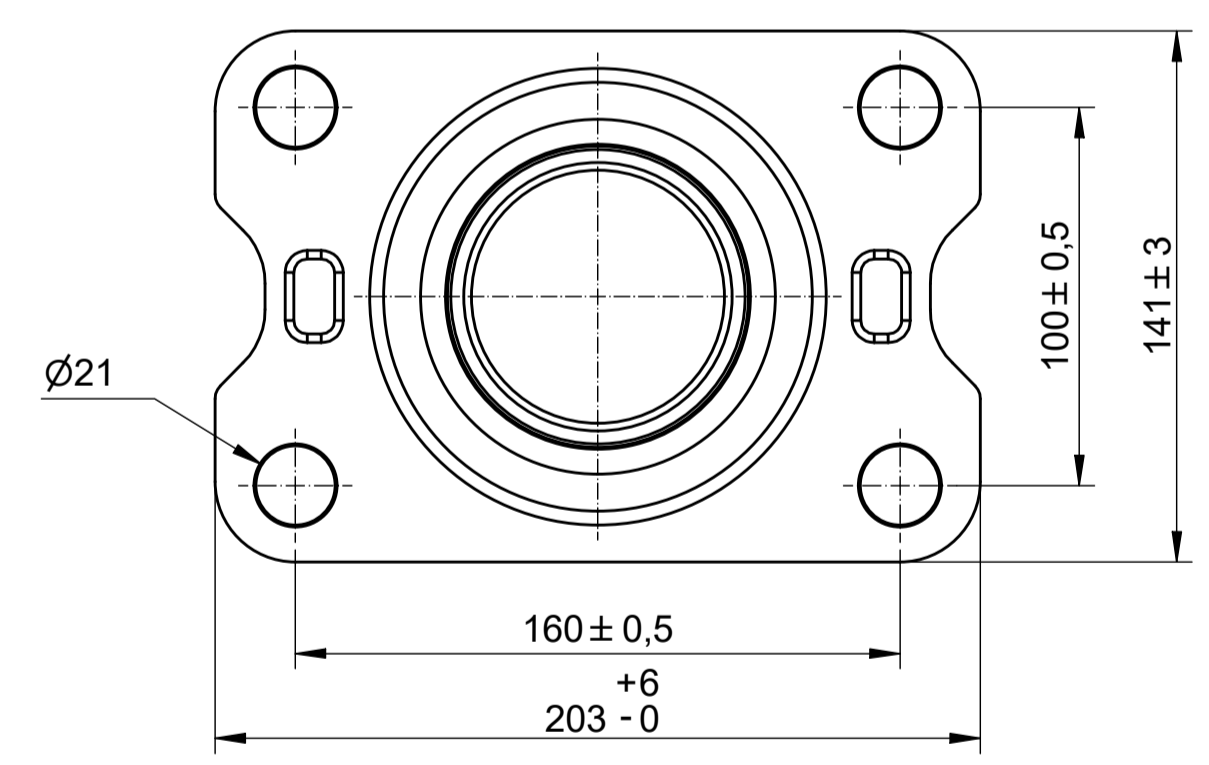
Horizontal ± 90° min
 Vertikal ± 20°
 Axial 360° bei einem Mindestdrehmoment von 100 Nm
 with a minimum torque of 100 Nm

Fastening torques according to mounting instruction
 Anzugsmomente gemäß Montageanleitung

Identification plate



Lochbild / Hole pattern



RINGFEDER		Modified Date	2021-03-29	Modified by	JL	Modification No.	13001	Issue	a
		3D Model No.	15990579	Engineer	HBH				
VBG GROUP		Description	RF50 B AUS MSD						
		Sheet Size	A1	Scale	1:2	Projection	1st Angle	Drawing Date	2019-12-16
P 15990579(F) Info		Stage	P						
		This drawing is the property of VBG Group AB and is protected in accordance with prevailing law. Changes must be made in CAD program; this concerns both 2D & 3D.							